

S11 Shark fin antenna Specification

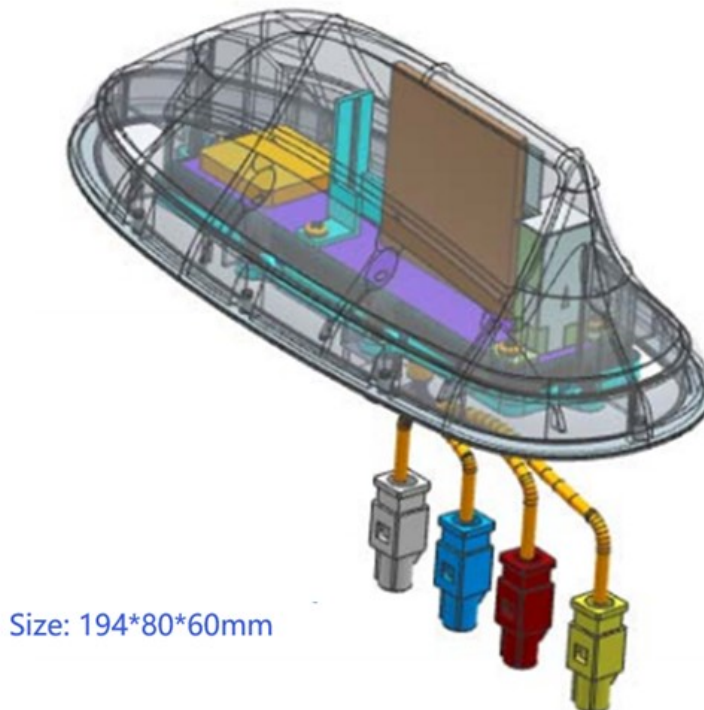


1. Antenna Specification

GNSS+LTE+ AM/FM 4-IN-1 Sharkfin Antenna	
1) GNSS Antenna	
Satellite Coverage	GPS L1 /BDS B1
Frequency Range	1559~1577 MHz
Working Voltage	3V~5V
Working Current	9±3mA@3V
Gain(PCBA)	28±3dB
Completed product Gain	20±3dB (Relative Gain) @0.2meter wire length
Noise Level	≤2dB
V.S.W.R	≤2.01
Impedance	50Ω
2) LTE Antenna (Main & Div)	
Main Antenna Frequency Range	824~960、1710~2170、2300~2690
V.S.W.R	824~960<5、1710~2170<3.5、2300~2690<3.0
Antenna Gain	>-4dB
Characteristic impedance	50Ω
Div. Antenna Frequency Range	LTEB1/B3/B5/B8/B38/B39/B40/B41
V.S.W.R	≤3.5(Main Antenna)/≤3.5 (Div. Antenna)
Gain	≤2dBi(Main Antenna)/≤2dBi(Div. Antenna)

3) AM/FM Antenna	
(1)Frequency Range	AM 525KHz~1620KHz、FM 87MHz~108MHz
(2)Working Temperature	9V~16V, Nominal 12V
(3)Working Current	<90mA@12V
(4)Gain(PCBA)	11±3dB
(5)Completed product Gain	AM -10~2dB、FM 2~10dB (Relative Gain) @ 3.5m wire
(6)Noise Level	≤2dB
(7)V.S.W.R	< 3.5 @ 98±3Mhz
(8)Impedance	75Ω
Environment Request	
(1)Working temperature	-35℃~+85℃
(2)Storage temperature	-40℃~+90℃
(3)Protection Level	IP65 (After installed to the car)

2. Antenna Structure



(For more test data or customize requirement, please contact us.)